

PLEASE CHECK WWW.MOLEX.COM FOR LATEST PART INFORMATION

Part Number: [0475070001](#)
Status: **Active**
Overview: [battery connectors](#)
Description: 2.00mm (.079") Pitch Battery Connector with side Fitting Nails, SMT, Contact Width 0.70mm (.028"), without Mylar, 4 Circuits, Lead-free

Documents:

[3D Model](#) [Product Specification PS-47507-001 \(PDF\)](#)
[Drawing \(PDF\)](#) [RoHS Certificate of Compliance \(PDF\)](#)

General

Product Family	PCB Headers
Series	47507
Application	Board-to-Board
Overview	battery connectors
Product Name	Battery Connector

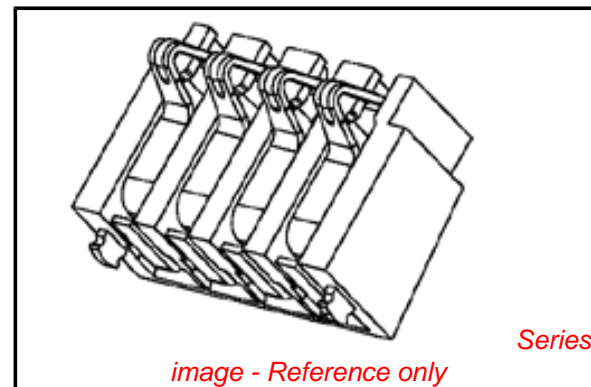
Physical

Breakaway	No
Circuits (Loaded)	4
Circuits (maximum)	4
Durability (mating cycles max)	10,000
First Mate / Last Break	No
Glow-Wire Compliant	No
Guide to Mating Part	No
Keying to Mating Part	None
Lock to Mating Part	None
Material - Metal	Beryllium Copper
Material - Plating Mating	Gold
Material - Plating Termination	Gold
Material - Resin	High Temperature Thermoplastic
Number of Rows	1
Orientation	Right Angle
PCB Locator	Yes
PCB Retention	Yes
Packaging Type	Embossed Tape on Reel
Pitch - Mating Interface (in)	0.079 In
Pitch - Mating Interface (mm)	2.00 mm
Pitch - Term. Interface (in)	0.079 In
Pitch - Term. Interface (mm)	2.00 mm
Plating min: Mating (µin)	30
Plating min: Mating (µm)	0.76
Plating min: Termination (µin)	3
Plating min: Termination (µm)	0.08
Polarized to Mating Part	Yes
Polarized to PCB	Yes
Shrouded	No
Stackable	No
Temperature Range - Operating	-40°C to +85°C
Termination Interface: Style	Surface Mount

Electrical

Current - Maximum per Contact	1.5A, 2A
Voltage - Maximum	200V (RMS)

Solder Process Data



EU RoHS

ELV and RoHS Compliant
REACH SVHC
 Not Reviewed
Halogen-Free Status
 Not Reviewed

China RoHS



Need more information on product environmental compliance?

Email productcompliance@molex.com
 For a multiple part number RoHS Certificate of Compliance, [click here](#)

Please visit the [Contact Us](#) section for any non-product compliance questions.

Search Parts in this Series
[47507Series](#)

Duration at Max. Process Temperature (seconds)	48
Lead-free Process Capability	Reflow Capable (SMT only)
Max. Cycles at Max. Process Temperature	1
Process Temperature max. C	250

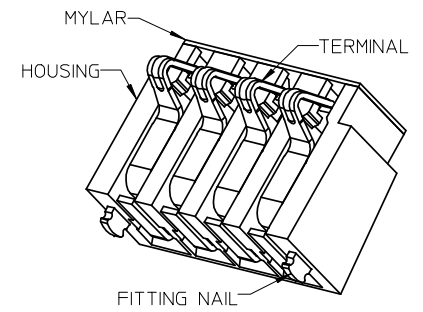
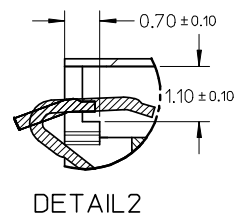
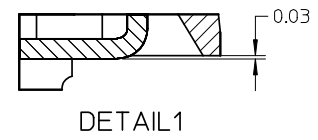
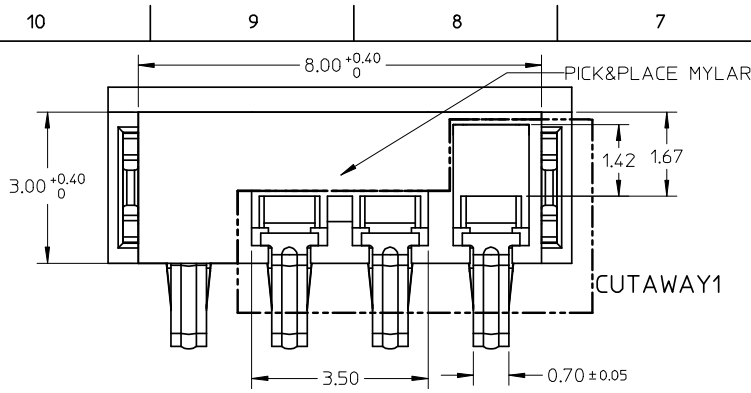
Material Info

Reference - Drawing Numbers

Packaging Specification	PK-47507-001
Product Specification	PS-47507-001
Sales Drawing	SD-47507-001

This document was generated on 05/26/2010

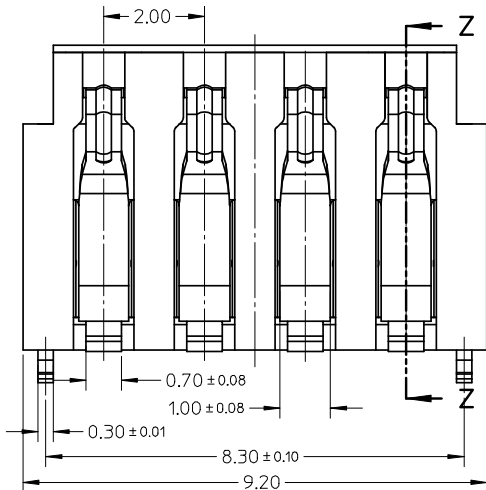
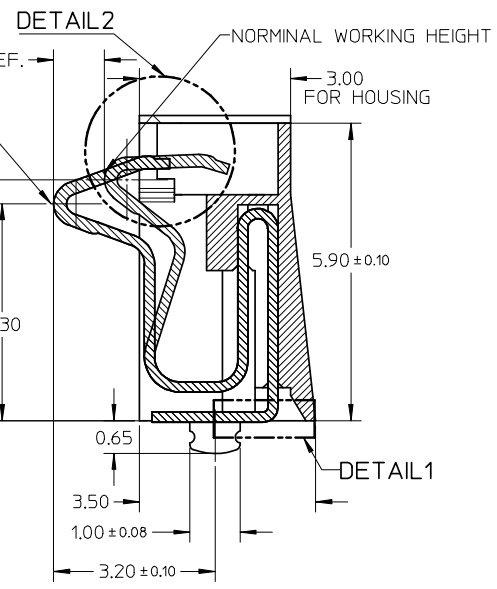
PLEASE CHECK WWW.MOLEX.COM FOR LATEST PART INFORMATION



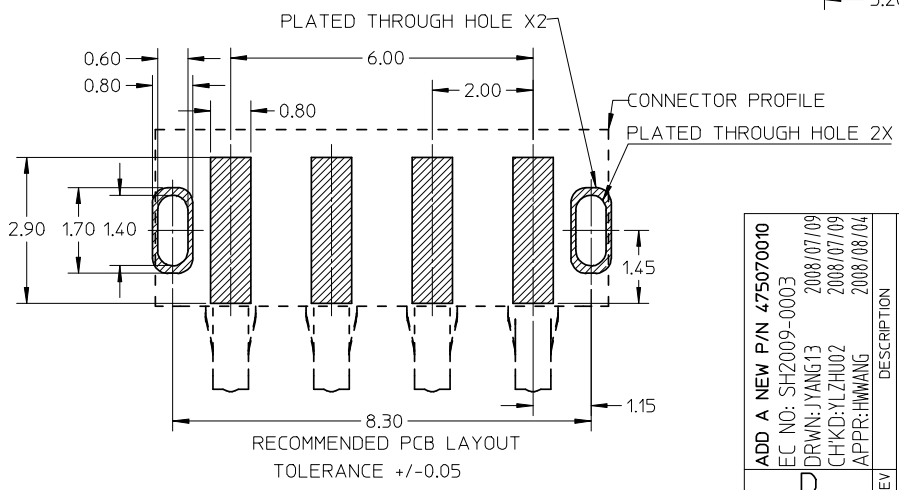
NOTES:

- 1 MATERIAL:
- 1-1 TERMINAL : BERYLLIUM COPPER, THICKNESS 0.20MM
 - 1-2 HOUSING : HIGH TEMPERATURE THERMAL PLASTIC
 - 1-3 FITTING NAIL : BRASS, THICKNESS 0.30MM
 - 1-4 MYLAR : THICKNESS 0.15MM
- 2 FINISH:
- 2-1 TERMINAL :
 - 50~150μ NICKEL UNDER PLATED
 - 30μ MIN GOLD PLATING ON CONTACT AREA
 - 3μ MIN GOLD FLASH ON SOLDERING AREA
 - 2-2 FITTING NAIL :
 - 50~200μ NICKEL UNDER PLATED
 - 100~200μ TIN PLATED ON SOLDERING AREA
- 3 MECHANICAL SPECIFICATION:
- 3-1 FORCE : 135±25g/ 0.7mm AWAY FROM HOUSING SURFACE
 - 3-2 MATING CYCLES : 10,000 TIMES
- 4 ELECTRICAL SPECIFICATION:
- 4-1 RATED VOLTAGE : 200 VOLTS RMS MAX.
 - 4-2 RATED CURRENT : 1.5 AMPS CONTINUOUS AND 2 AMPS PULSES
 - 4-3 CONTACT RESISTANCE : 50 MILLIOHMS MAX.
- 5 ADHIBIT MYLAR AFTER ASSEMBLY PROCESS
- 6 COMPLIANT TO RoHS DIRECTIVE 2002/95/EC AND ELV 2000/53/EC.

DIRECTION OF BURRS AWAY FROM CONTACT SURFACE



SECTION Z-Z



ADD A NEW P/N 475070010	QUALITY SYMBOLS
EC NO: SHZ009-0003	▽=0
DRWN: JYANG13 2008/07/09	∇=0
CHKD: YLZHUO 2008/07/09	
APPR: HWANG 2008/08/04	
DESCRIPTION	
REV	

GENERAL TOLERANCES (UNLESS SPECIFIED)	
mm	INCH
4 PLACES	± --- ± ---
3 PLACES	± --- ± ---
2 PLACES	± 0.15 ± ---
1 PLACE	± --- ± ---
ANGULAR ± ---°	
DRAFT WHERE APPLICABLE MUST REMAIN WITHIN DIMENSIONS	

DIMENSION STYLE		SCALE
MM ONLY		10:1
DRAWN BY	DATE	TITLE
XU XIANG	2006-06-29	2.0MM PITCH 4 PINS T/H SIDE CONTACT BATTERY CONN.
CHECKED BY	DATE	
XU XIANG	2007/03/14	MOLEX INCORPORATED
APPROVED BY	DATE	
JNCHEN	2007/03/19	MATERIAL NO.
SEE TABLE		DOCUMENT NO.
SD-47507-001		SHEET NO.
1 OF 1		

475070010	WITH MYLAR
475070001	WITHOUT MYLAR
PART NO.	PART DESCRIPTION
DESIGN UNITS	THIRD ANGLE PROJECTION
METRIC	